

JOB NAME:

QUANTITY:

ITEM NO.:

PRODUCT NAME:
4" DECK MOUNT FAUCET

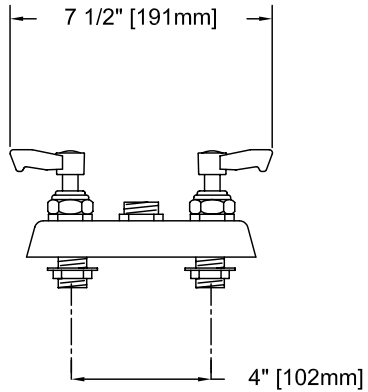
MODEL:
 26387 WITH SWIVEL OUTLET

FEATURES:

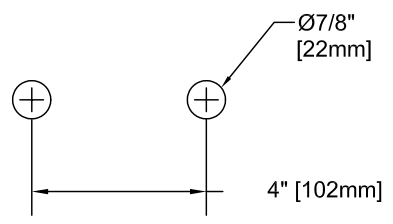
- * 4" DECK MOUNTED
- * 1 1/2" LONG SHANKS WITH LOCK NUTS AND 1/2" NPT THREADS

SYSTEM LIMITS
TEMP: 40 F MIN TO 140 F MAX
PRESSURE 200 PSI MAX STATIC
2.20 GPM @60 PSI

SHIPPING WEIGHT
* 3.8 LBS



ROUGH IN:



ANSI/A112.18.1M

Distributed by Fisher Manufacturing Company
P.O. Box 60 Tulare, CA 93725-0060
Phone 800-421-6162 FAX 800-8-FAUCET (800-832-8238)